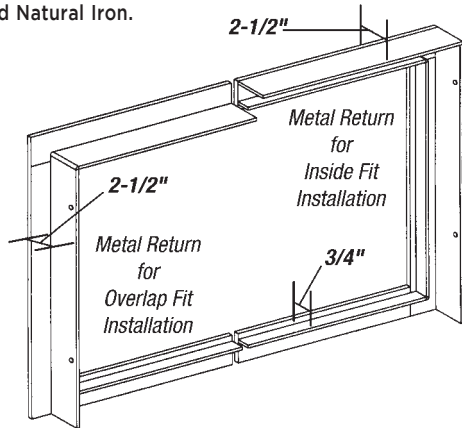


HERITAGE

Welded Steel



Shown in Textured Natural Iron.



The Heritage is a 1/4" welded steel plate enclosure with either a 1 3/4" or 2 1/2" wide frame. It is available as an overlap or inside fit. The maximum overlap for 1 3/4" frames is 3/4" each side, 3/4" top with and without mesh. The maximum overlap for 2 1/2" frames is, 1 1/2" each side, 1 1/2" top with and without mesh. The inner return of the frame will extend 2 1/2" into the opening.

STANDARD FINISHES – Heritage Finishes	
Optional Glass Channel/ Handle Finishes –	Polished, Antique, Chrome or Stainless
Door Style –	Available with CV2 bi-fold tracked doors or FS2 bi-fold full-swing trackless doors
Standard Glass –	1/4" tempered bronze, clear or grey colored glass with lifetime warranty
Glass Options –	Beveled Glass Mirrored Glass: Bronze
OPTIONS	
Mesh Options –	Heavy 19 gauge mesh curtain, 1/8" flattened expanded steel, 25 gauge mesh doors
Frame Option –	Laser cut frame
Optional Air-Draft Control	
Laser Cut Option	

SIZING CHART FOR THE HERITAGE DOOR

FINISH	MODEL NO.	DOOR STYLE	GLASS	OVERALL FRAME SIZES
HERITAGE FINISHES: BZ – Textured Bronze Iron CU – Copper FTB – Textured Brown GAV – Gold Antique GI – Textured Grey Iron MI – Moss Iron NI – Textured Natural Iron NP – Textured Pewter NRST – New Rust OCPR – Old Copper OI – Textured Old Iron SAV – Silver Antique TB – Textured Black TCH – Textured Chestnut TR – Textured Rust	Heritage	CV2: Bi-fold tracked doors FS2: Bi-fold full-swing trackless doors	Bronze, Clear or Grey	Up to 44" wide by 31" high Up to 50" wide by 39" high For larger sizes and frame widths, contact factory for quote.

- HOW TO ORDER**
- Use custom order form #1 in the separate Price List and completely fill out all information requested.
 - Order must be mailed or faxed to Thermo-Rite.