

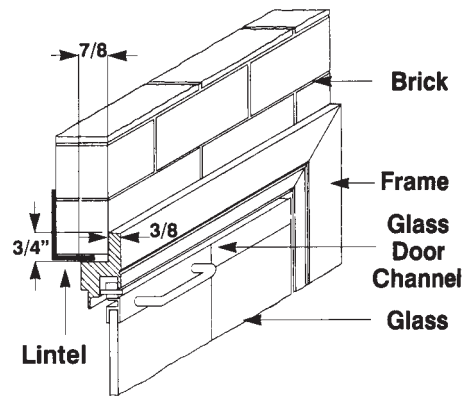
LASER

Anodized Aluminum

The Laser is an anodized aluminum enclosure with a 1 3/4" frame that protrudes only 3/8" from the face of the fireplace. It is available as a combination overlap, inside fit.



Shown in Textured Grey Iron.



STANDARD FINISHES – Black, Polished Brass Finish	
Optional Glass Channel/ Handle Finishes –	Stainless, Antique, or Chrome
Door Style –	Available with CV2 bi-fold tracked doors or FS2 bi-fold full-swing trackless doors
Standard Glass –	1/4" tempered bronze, clear or grey colored glass with lifetime warranty
Glass Options –	Beveled Glass Mirrored Glass: Bronze
OPTIONS	
Mesh Options –	Heavy 19 gauge mesh curtain, 1/8" flattened expanded steel, 25 gauge mesh doors

SIZING CHART FOR THE LASER DOOR

FINISH	MODEL NO.	DOOR STYLE	GLASS	OVERALL FRAME SIZES
Black Polished Brass	Laser	CV2: Bi-fold tracked doors FS2: Bi-fold full-swing trackless doors	Bronze, Clear or Grey	Up to 44" wide by 31" high Up to 50" wide by 39" high
HERITAGE FINISHES:				For larger sizes and frame widths, contact factory for quote.
BZ – Textured Bronze Iron CU – Copper FTB – Textured Brown GAV – Gold Antique GI – Textured Grey Iron MI – Moss Iron NI – Textured Natural Iron NP – Textured Pewter NRST – New Rust OCPR – Old Copper OI – Textured Old Iron SAV – Silver Antique TB – Textured Black TCH – Textured Chestnut TR – Textured Rust				

HOW TO ORDER

Use custom order form #1 in the separate Price List and completely fill out all information requested.
• Order must be mailed or faxed to Thermo-Rite.