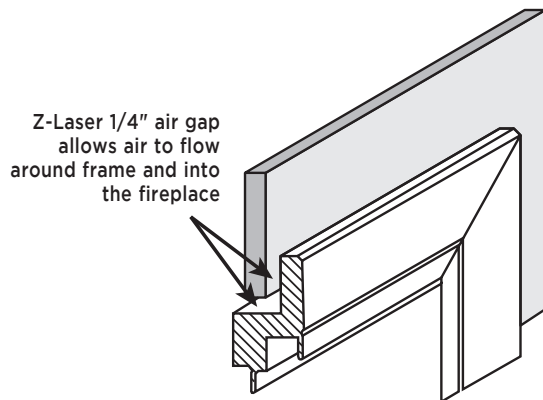


# CUSTOM ZERO-CLEARANCE

STANDARD FINISHES – Black, Polished Brass Finish	
Optional Glass Channel/ Handle Finishes –	Stainless, Antique, or Chrome
Door Style –	Available with CV2 bi-fold tracked doors or FS2 bi-fold full-swing trackless doors
Standard Glass –	1/4" tempered bronze, clear or grey colored glass with lifetime warranty
Glass Options –	Beveled Glass Mirrored Glass: Bronze
OPTIONS	
Mesh Options –	1/8" flattened expanded steel, 25 gauge mesh doors (only available in FS2)



## Z-LASER Anodized Aluminum

The Z-Laser is an anodized aluminum enclosure with a 1 3/4" wide frame. It is available as an overlap fit. This enclosure can be installed on zero-clearance boxes with marble, tile or any non-combustible material up to 5/8" thick.



Shown in Textured Grey Iron.

### SIZING CHART FOR THE Z-LASER DOOR

FINISH	MODEL NO.	DOOR STYLE	GLASS	OVERALL FRAME SIZES
Black Polished Brass	Z-Laser	<b>CV2:</b> Bi-fold tracked doors <b>FS2:</b> Bi-fold full-swing trackless doors	Bronze, Clear or Grey	Up to 44" wide by 27" high Up to 50" wide by 31" high  For larger sizes and frame widths, contact factory for quote.
<b>HERITAGE FINISHES:</b>  <b>BZ</b> – Textured Bronze Iron <b>CU</b> – Copper <b>FTB</b> – Textured Brown <b>GAV</b> – Gold Antique <b>GI</b> – Textured Grey Iron <b>MI</b> – Moss Iron <b>NI</b> – Textured Natural Iron <b>NP</b> – Textured Pewter <b>NRST</b> – New Rust <b>OCPR</b> – Old Copper <b>OI</b> – Textured Old Iron <b>SAV</b> – Silver Antique <b>TB</b> – Textured Black <b>TCH</b> – Textured Chestnut <b>TR</b> – Textured Rust				

- HOW TO ORDER**
- Use custom order form #7 in the separate Price List and completely fill out all information requested.
  - Order must be mailed or faxed to Thermo-Rite.