

# Z-LASER

## Anodized Aluminum

The Z-Laser is an anodized aluminum enclosure with a 1 3/4" wide frame. It is available as an overlap fit. This enclosure can be installed on zero-clearance boxes with marble, tile or any non-combustible material up to 5/8" thick.



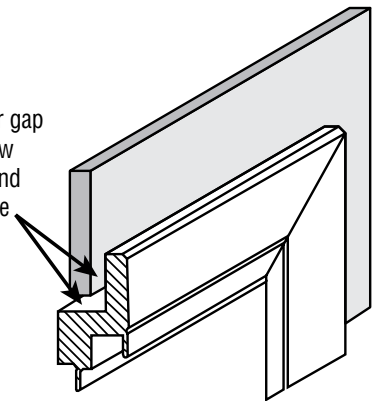
Shown in Grey Iron.

<b>STANDARD FINISHES</b> – Black, Polished Brass Finish.	
Optional Glass Channel/Handle Finishes – Stainless, Antique, or Chrome	
Door Styles –	Available with CV2 bi-fold tracked doors or FS2 bi-fold full swing trackless doors
Standard Glass –	1/4" tempered bronze, clear or grey colored glass with lifetime warranty
Glass Options –	Beveled Glass..... Per Quote Mirrored Glass: Bronze..... Per Quote

**OPTIONS**

Mesh Options –	1/8" flattened expanded steel, 25 gauge mesh door (only available in FS2)
Frame Finishes – (Painted)	Gold Antique Vein, Silver Antique Vein, Copper, Pewter, Natural Iron, Black Iron, Grey Iron, Bronze Iron, Old Iron, Moss Iron <b>Painted Finishes are Non-Returnable.</b>

Z-Laser 1/4" air gap allows air to flow around frame and into the fireplace



### PRICE CHART FOR THE Z-LASER

Finish	Model	Door Style	Glass	Overall Frame Sizes
Black Polished Brass	Z-Laser	CV2=Bi-fold tracked door FS2=Bi-fold full swing trackless door	Bronze, Clear or Grey	up to 44" wide x 27" high up to 50" wide x 31" high <b>For larger sizes contact factory for quote</b>

**How To Order**

- Use custom order form #7 on page 43 and completely fill out all information requested.
- Order must be mailed or faxed to Thermo-Rite.