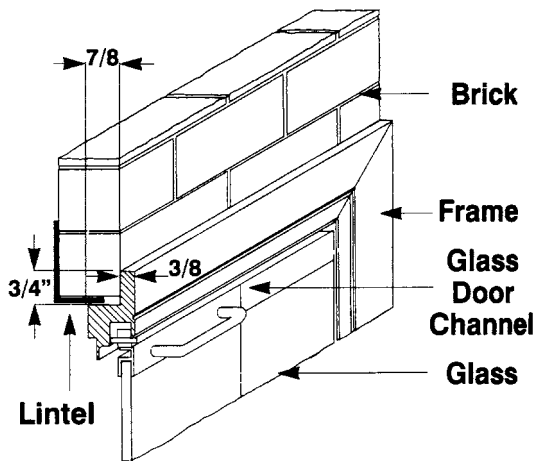




Shown in Black.



LASER

Anodized Aluminum

The Laser is an anodized aluminum enclosure with a 1 3/4" frame that protrudes only 3/8" from the face of the fireplace. It is available as a combination overlap, inside fit.

STANDARD FINISHES – Black, Polished Brass Finish.	
Optional Glass Channel/Handle Finishes – Stainless, Antique, or Chrome	
Door Styles –	Available with CV2 bi-fold tracked doors or FS2 bi-fold full swing trackless doors
Standard Glass –	1/4" tempered bronze, clear or grey colored glass with lifetime warranty
Glass Options –	Beveled Glass..... Per Quote Mirrored Glass: Bronze..... Per Quote

OPTIONS	
Mesh Options –	Heavy 19 gauge mesh curtain 1/8" flattened expanded steel, 25 gauge mesh door
Frame Finishes – (Painted)	Gold Antique Vein, Silver Antique Vein, Copper, Pewter, Natural Iron, Black Iron, Grey Iron, Bronze Iron, Old Iron, Moss Iron Painted Finishes are Non-Returnable.

PRICE CHART FOR THE LASER

Finish	Model	Door Style	Glass	Overall Frame Sizes
Black Polished Brass	Laser	CV2=Bi-fold tracked door FS2=Bi-fold full swing trackless door	Bronze, Clear or Grey	up to 44" wide x 31" high up to 50" wide x 39" high For larger sizes contact factory for quote

How To Order

- Use custom order form #1 on page 38 and completely fill out all information requested.
- Order must be mailed or faxed to Thermo-Rite.