

# HERITAGE

## Welded Steel

The Heritage is a 1/4" welded steel plate enclosure with either a 1 3/4" or 2 1/2" wide frame. It is available as an overlap or inside fit. The maximum overlap for 1 3/4" frames is 3/4" each side, 3/4" top with and without mesh. The maximum overlap for 2 1/2" frames is, 1 1/2" each side, 1 1/2" top with and without mesh. The inner return of the frame will extend 2 1/2" into the opening.

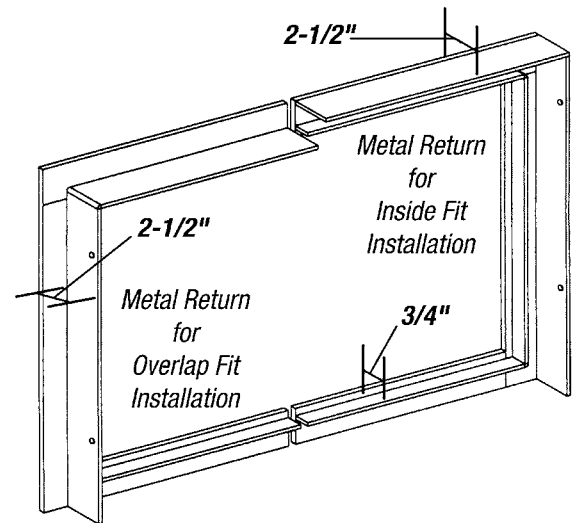


Shown in Natural Iron.

<b>STANDARD FINISHES</b> – Gold Antique Vein, Silver Antique Vein, Copper, Pewter, Natural Iron, Black Iron, Grey Iron, Bronze Iron, Old Iron, Moss Iron.	
Optional Glass Channel/Handle Finishes – Polished, Antique, Chrome, Stainless	
Door Styles –	Available with CV2 bi-fold tracked doors or FS2 bi-fold full swing trackless doors
Standard Glass –	1/4" tempered bronze, clear or grey colored glass with lifetime warranty
Glass Options –	Beveled Glass..... Per Quote Mirrored Glass: Bronze..... Per Quote

**OPTIONS**

Mesh Options –	Heavy 19 gauge mesh curtain 1/8" flattened expanded steel, 25 gauge mesh door
Frame Option –	Laser cut frame
Optional Air-Draft Control	
Laser Cut Option	



**PRICE CHART FOR THE HERITAGE**

Finish	Model	Door Style	Glass	Overall Frame Sizes
Gold Antique Vein Silver Antique Vein Copper Pewter Natural Iron Black Iron Grey Iron Bronze Iron Old Iron Moss Iron	Heritage	CV2=Bi-fold tracked door FS2=Bi-fold full swing trackless door	Bronze, Clear or Grey	up to 44" wide x 31" high up to 50" wide x 39" high  <b>For larger sizes and frame widths contact factory for quote</b>

**How To Order**

- Use custom order form #3 on page 40 and completely fill out all information requested.
- Order must be mailed or faxed to Thermo-Rite.