



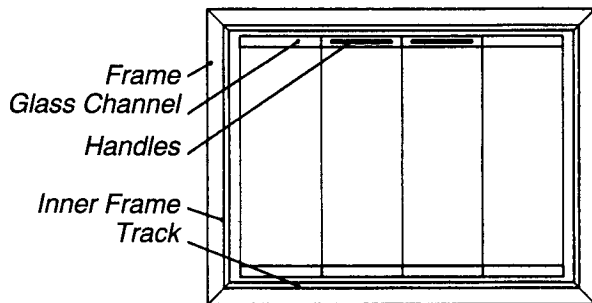
Shown in Champagne Nickel.

# CAMEO

## Anodized Aluminum

The Cameo is an anodized aluminum enclosure with 7/8" mitered frame and a 3/8" mitered inner frame for a total frame width of 1 1/4". It is available as an overlap or inside fit. The maximum overlap is 1 1/2" each side, 1" top with mesh and 1 3/4" top without mesh.

### Cameo Front View



<b>STANDARD FINISHES</b> – Bronze, Champagne Nickel, Pewter, Black, Black & Polished, Polished & Black, Polished Brass Finish.	
Optional Glass Channel/Handle Finishes – Stainless, Antique, or Chrome	
Door Styles –	Available with CV2 bi-fold tracked doors or FS2 bi-fold full swing trackless doors
Standard Glass –	1/4" tempered bronze, clear or grey colored glass with lifetime warranty
Glass Options –	Beveled Glass..... Per Quote Mirrored Glass: Bronze..... Per Quote

#### OPTIONS

Mesh Options –	Heavy 19 gauge mesh curtain 1/8" flattened expanded steel, 25 gauge mesh door
Frame Finishes – (Painted)	Gold Antique Vein, Silver Antique Vein, Copper, Pewter, Natural Iron, Black Iron, Grey Iron, Bronze Iron, Old Iron, Moss Iron <b>Painted Finishes are Non-Returnable.</b>

### PRICE CHART FOR THE CAMEO

Finish	Model	Door Style	Glass	Overall Frame Sizes
Bronze Champagne Nickel Pewter Black Black & Polished Polished & Black Polished Brass	Cameo	CV2=Bi-fold tracked door FS2=Bi-fold full swing trackless door	Bronze, Clear or Grey	up to 44" wide x 31" high up to 50" wide x 39" high  <b>For larger sizes contact factory for quote</b>

#### How To Order

- Use custom order form #1 on page 38 and completely fill out all information requested.
- Order must be mailed or faxed to Thermo-Rite.