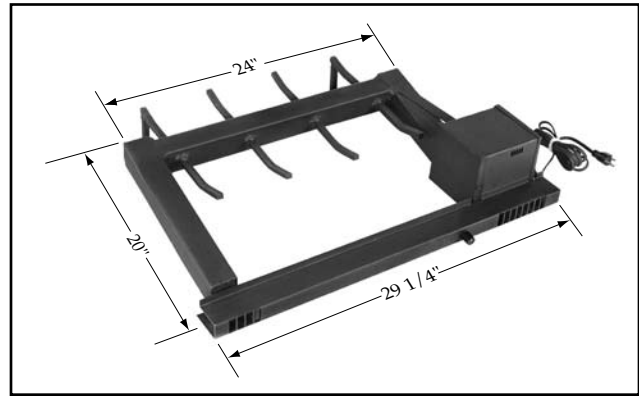


GAS LOG HEATER

Heater Discount Applies

- 25,000 BTU's of Heat Per Hour.
- 60 CFM Blower/Low Profile Motor Box.
- Thermostatically Controlled.
- Turns On Automatically at 110° F and off at 90° F.
- Steel Tubing Warranted for 2 years.
- Holds 16" to 30" Gas Logs (Most mfgs)
- Cord Length equals 8 ft.
- Can only be used with a sand pan type burner.



PRICE CHART FOR GAS LOG HEATER				
Model	Width	Depth	Weight	
GL-2420	24"	20"	28#	
GL-2017	20"	17"	27#	
GL-2420LH	Left Hand Motor		28#	
GL-2017LH	Left Hand Motor		27#	

PRICE CHART FOR GAS LOG HEATER TRIM BAR			
Model	Finish	Size	
GL-54-A	Antique 3 pc.	54" x 1 3/8"	
GL-54-B	Polished 3 pc.	54" x 1 3/8"	
GL-54-ALH Left Hand	Antique 3 pc.	54" x 1 3/8"	
GL-54-BLH Left Hand	Polished 3 pc.	54" x 1 3/8"	

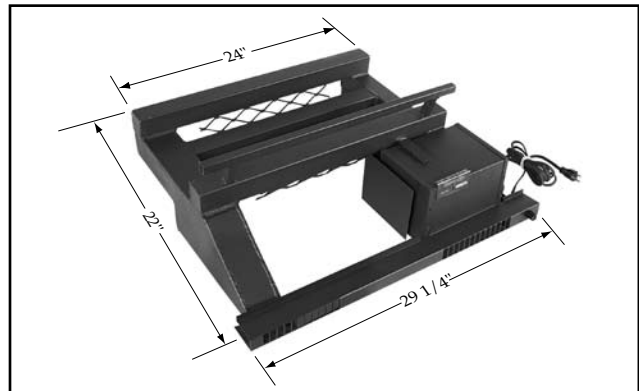
Left hand motor Gas Log Heaters require special left hand trim bar

COZY GRATE HEATER

Heater Discount Applies

- 40,000 BTU'S of Heat Per Hour
- 100 CFM Blower (variable speed)
- Rheostat and Thermostat Controlled
- Steel Tubing Warranted for 3 Years.
- Turns On Automatically at 110° F and Off at 90° F.
- All Electrical Components are U.L. Approved & 1 Year Warranty.

All units come with front rail 1 3/8" high and 51 1/4" wide. Glass door sits on top of front rail and is elevated 1 3/8". If your door is an inside fit, you must have 1" extra depth to accommodate the depth of the grate heater. On left hand motor models the right side of the heater is solid steel (no opening for gas line).



PRICE CHART FOR COZY GRATE HEATER				
Model	Width	Depth	Weight	
TR-22	24"	22"	57#	
TR-20	22"	20"	55#	
TR-17	20"	17"	53#	
TR-22LH	Left Hand Motor		57#	
TR-20LH	Left Hand Motor		55#	
TR-17LH	Left Hand Motor		53#	

PRICE CHART FOR COZY GRATE HEATER TRIM BAR			
Model	Finish**	Size	
TR-54-A	Antique 3 pc.	54" x 1 3/8"	
TR-54-B	Polished 3 pc.	54" x 1 3/8"	
TR-54-BB	Black 3 pc.	54" x 1 3/8"	
TR-51POL	Polished 1 pc.	51" x 1 3/8"	
TR-51ANT	Antique 1 pc.	51" x 1 3/8"	
TR-51BLK	Black 1 pc.	51" x 1 3/8"	
TR-54SAT*	Satin 3 pc.	54" x 1 3/8"	
TR-54CHR*	Chrome 3 pc.	54" x 1 3/8"	

Stock Cozy Options

Rear log guard (# HGH-RLG)

Replacement Parts

Rheostat (# TSRV01-510)

Thermostat (# TSRV01-531)

Motor for Grate Heater (# TSRV01-500)

Cord

Extender (12" with lip)

*Models with an asterisk are special order. The TR-54 Trim Bar comes as 5 pieces, but you only use 3 pieces. The TR-51 Trim Bar is one piece, 51" long. All Trim Bars fit either right- or left-hand motor heaters.

**Additional painted colors are available. Contact factory for color selection